



SURGE ARRESTERS - VARISTOR & EMC/EMI filter

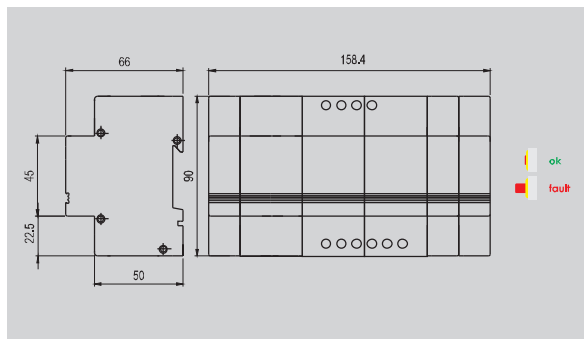
PI-3k is a three-phase surge arrester type 3 with a high-frequency filter according to EN 61643-11 and IEC 61643-1. They are produced for nominal current within the range of 16, 25, 32, 50, 63, 80 and 120A for application use in TNS and TNC systems. The types PI-3k16 and PI-3k25 are constructed for mounting on DIN rail 35mm. The types PI-3k32, 50, 63, 80 and 120 are produced in basic versions for mounting straight onto construction of switchboard by four screws M4. PI-3k range is designed for protection of three-phase electronic appliances in L.V. supply systems against impulse surge and high-frequency disturbance. This complex range is produced for nominal voltage within the range of 6, 12, 24, 48, 60, 80, 110, 120, 130, 160 and 230V (AC/DC).

The function failure of varistors is indicated by target disconnection of mechanical thermal fuses which react to varistors overheating above c. 120°C.

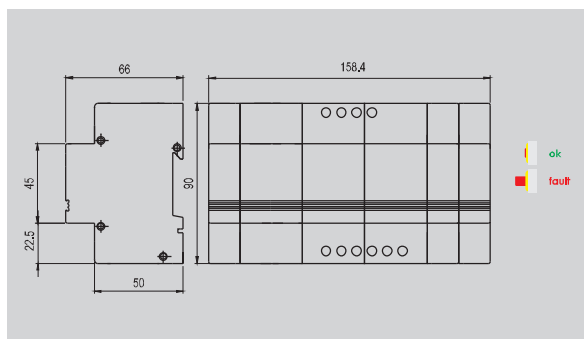
2-stage MOV surge arrester
& EMC/EMI filter



TYPE 3



2-stage MOV surge arrester
& EMC/EMI filter



Type PI-3k16		
Nominal voltage	U_N	3x230/400 V AC
Max. continuous operating voltage	U_C	3x275/480 V AC
Nominal current	I_N	16 A
Nominal discharge current $I_n(8/20)$	I_n	3 kA (L/N, L/PE) 5 kA (N/PE)
	U_{OC}	6 kV (L/N, L/PE) 10 kV (N/PE)
Voltage protection level at U_{OC}	U_P	<850 V (L/N) <1,5 kV (L/PE) <1,2 kV (N/PE)
		min. 80 dB at 2 MHz min. 40 dB (0,15 - 30 MHz)
Filters constants	C_{x1}	M15
	C_{x2}	M33
	C_y	2x47 nF
	L	1,3 mH
Power loss at winding temp. 20°C		<7,5 W
Response time	t_A	<25 ns (L/N) <100 ns (L/PE, N/PE)
		16 A
Recommended backup fuse		min. 100.000 h
Lifetime		500 g
Weight	m	30 300
Article number		

Type PI-3k25		
Nominal voltage	U_N	3x230/400 V AC
Max. continuous operating voltage	U_C	3x275/480 V AC
Nominal current	I_N	25 A
Nominal discharge current $I_n(8/20)$	I_n	3 kA (L/N, L/PE) 5 kA (N/PE)
	U_{OC}	6 kV (L/N, L/PE) 10 kV (N/PE)
Voltage protection level at U_{OC}	U_P	<850 V (L/N) <1,5 kV (L/PE) <1,2 kV (N/PE)
		min. 80 dB at 2 MHz min. 40 dB (0,15 - 30 MHz)
Filters constants	C_{x1}	M15
	C_{x2}	M33
	C_y	2x47 nF
	L	1,4 mH
Power loss at winding temp. 20°C		<7,5 W
Response time	t_A	<25 ns (L/N) <100 ns (L/PE, N/PE)
		25 A
Recommended backup fuse		min. 100.000 h
Lifetime		520 g
Weight	m	30 306
Article number		