

SURGE PROTECTION DEVICE - SURGE PROTECTION DEVICE - SURGE PROTECTION DEVICE - SURGE PROTECTION DEVICE - SURGE PROTECTION DEVICE - SURGE PROTECTION DEVICE - SURGE PROTECTION DEVICE - SURGE PROTECTION DEVICE - SURGE PROTECTION DEVICE



**Function of remote monitor terminals**

When the PIIM DS is operating correctly, the terminations 1-2 are connected to normally closed contacts, 2-3 are normally open. If the internal varistor component is damaged as a result of thermal overloading, terminations 1-2 will then be open and 2-3 closed.

el. strength against surround. circuits	3750 V <sub>rms</sub>
el. strength against network circuits	3750 V <sub>rms</sub>
insulation resistance	2 x 10 <sup>7</sup> Ω
max. switching current	~ 0,5 A
max. switching voltage	~ 250 V

Type PIIM-275/PIIM-275 DS		Vseries
Max. continuous operating voltage	U <sub>c</sub>	275 V AC
Max. discharge current (8/20)	I <sub>max</sub>	50 kA
Nominal discharge current (8/20)	I <sub>n</sub>	20kA
Temporary overvoltage (TOV)	U <sub>T</sub>	335 V/5 sec
Voltage protection level at I <sub>n</sub>	U <sub>p</sub>	<1,3 kV
Response time	t <sub>A</sub>	< 25 ns
Max. back-up fuse		160 AgL/gG
Lifetime		min.100 000 h
Weight	m	90 g
Short-circuit withstand capability at max.back-up fuse	I <sub>p</sub>	60 kA <sub>rms</sub>
Article number		
PIIM-275		27 004
PIIM-275 DS		27 005



<b>Varistor-based spare module</b>	<b>Art. No.</b>
PIIM-275/M	27 044

Type PIIM-320/PIIM-320 DS		Vseries
Max. continuous operating voltage	U <sub>c</sub>	320 V AC
Max. discharge current (8/20)	I <sub>max</sub>	50 kA
Nominal discharge current (8/20)	I <sub>n</sub>	20 kA
Temporary overvoltage (TOV)	U <sub>T</sub>	335 V/5 sec
Voltage protection level at I <sub>n</sub>	U <sub>p</sub>	<1,45 kV
Response time	t <sub>A</sub>	< 25 ns
Max. back-up fuse		160 AgL/gG
Lifetime		min.100 000 h
Weight	m	92 g
Short-circuit withstand capability at max.back-up fuse	I <sub>p</sub>	60 kA <sub>rms</sub>
Article number		
PIIM-320		27 008
PIIM-320 DS		27 009



<b>Varistor-based spare module</b>	<b>Art. No.</b>
PIIM-320/M	27 045

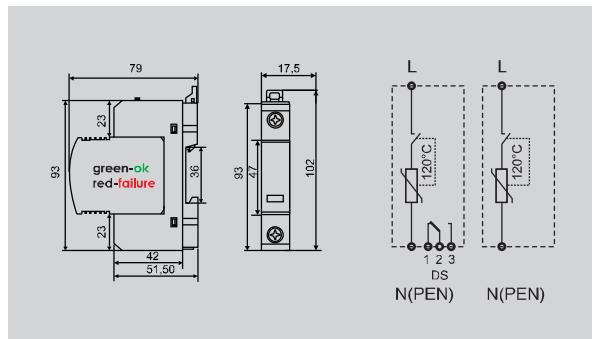


1-pole MOV surge arrester

PIIM-275 Vseries

TN-S TN-C TT

TYPE 2 CLASS II LPZ 1-2 DS +80°C / -40°C IP 20 home industry

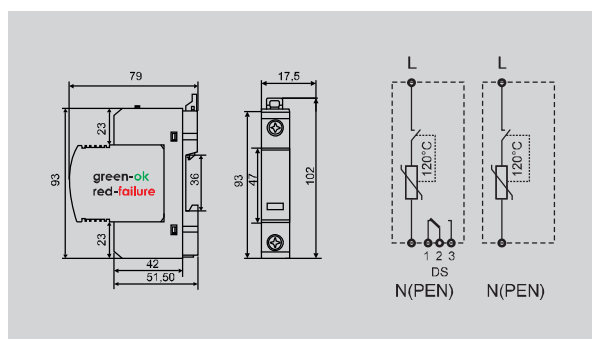


1-pole MOV surge arrester

PIIM-320 Vseries

TN-S TN-C TT

TYPE 2 CLASS II LPZ 1-2 DS +80°C / -40°C IP 20 home industry



TYPE 2

HAKEL-TRADE