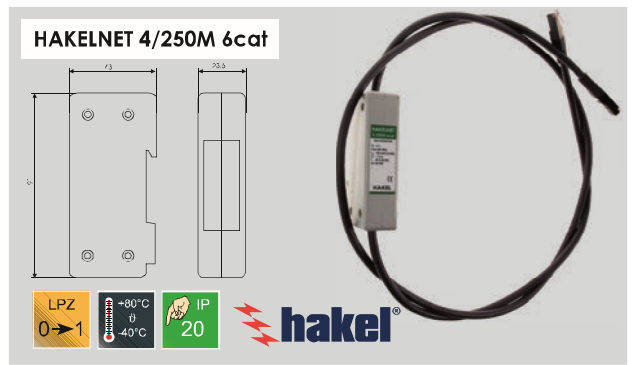


SURGE PROTECTION DEVICE - SURGE PROTECTION DEVICE - SURGE PROTECTION DEVICE - SURGE PROTECTION DEVICE - SURGE PROTECTION DEVICE - SURGE PROTECTION DEVICE - SURGE PROTECTION DEVICE - SURGE PROTECTION DEVICE - SURGE PROTECTION DEVICE

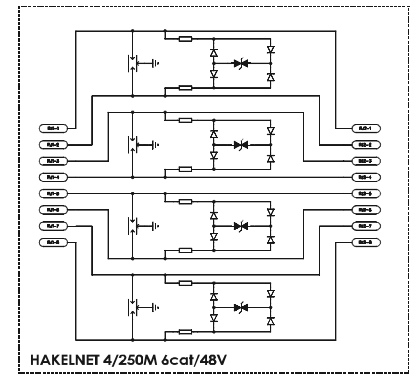
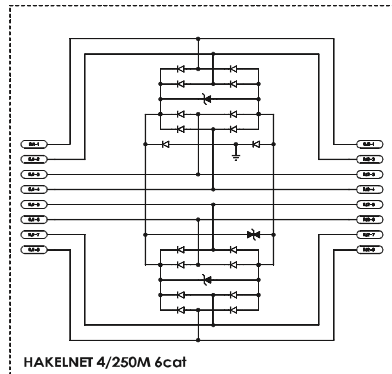
Hakelnet 4/250M 6 cat is designed to protect 5E/6 data and communications lines. All protected lines are equipped with Transient Voltage Suppressor Diode which eliminates common mode and differential mode surge effects during computer networks operation.

Hakelnet 4/250M 6cat consists of a plastic box and patch cords which are terminated with RJ45 connectors. Required length of patch cords (a, b) is to be specified by customer.



Connection of RJ45 pins acc.to EIA/TIA 568, type B

- 1 white/orange 1 - blue pair
- 2 orange 2 - orange pair
- 3 white/green 3 - green pair
- 4 blue 4 - brown pair
- 5 white/blue
- 6 green
- 7 white/brown
- 8 brown



Technical data		HAKELNET 4/250M 6cat	HAKELNET 4/250M 6cat/12V	HAKELNET 4/250M 6cat/48V
Number of protected pairs		4	4	4
Nominal voltage	U_N	6 V	12 V	48 V
Max. continuous operating voltage	U_C	7,2	14,4 V	57,6 V
Nominal current	I_L		200 mA	
Mode of protection			line-line, line-G(PE)	
Frequency handling			250 MHz	
C2 Nominal discharge current (8/20) line/line	I_n	20 A		150 A
C3 Voltage protection level at I_n line/G(PE) at 1 kV/μs	U_p	< 15 V	< 20 V	< 66 V
Insertion loss for 250 MHz			< 3 dB	
Parasitic capacitance line/line	c	max. 5 pF		max. 160 pF
Mounting on			DIN rail 35 mm	
Input/Output, pinning			RJ45/RJ45, 1/2, 3/6, 4/5, 7/8	
Length of patch cords			acc. to customer's specification, a+b < 3 m	
Grounding method			Trough DIN rail 35 mm by special metal clip on the back side of box	
Housing material			POLYAMID PA6	
Colour			grey	
Category tested acc. to			IEC 61643-21	
Approvals and certifications			Cat. 6, ISO/IEC 11801	
Article number		45 034	45 038	45 037



DATA PROTECTION

HAKEL-TRADE